



DISCOVER COMPACT ALL IN

General information

COMPACT ALL IN

With its seamless casing the Stelrad Compact All In gives your home a tidy and finished character. The safe casing has a highly aesthetic and child-friendly finish. This radiator is fully equipped and ready to install.

Product:	fully encased compact radiator
Finishing:	upper grille and side panels
Also supplied:	VDI brackets with anti-lift (type Monclac), screws, plugs, air vent, blind plug and installation instructions
Connections:	4 x 1/2" female connection
Lugs:	2 pairs of mounting lugs up to 1.600 mm and 3 pairs from 1.800 mm
Packaging:	Every radiator is sturdily packaged in high-quality cardboard and wrapped in plastic. The radiator's characteristics are shown on the label: type – height – length.
Warranty:	10 years, as long as the installation instructions have been followed and Stelrad's warranty conditions have been met.
Paint process:	All radiators are degreased, phosphated, cathodically primed and powder-coated in Stelrad white 9016 as standard.
Colours:	Stelrad white 9016 + 35 different Stelrad colours and about 200 RAL-colours are possible
Heat cost allocator:	Suitable for heat cost allocators, both electronic and according to the evaporation principle (covered by the norm of EN834 & EN835).
Max. operating pressure:	10 bar (tested to 13 bar)
Max. operating temperature:	110 °C
Conformity:	in accordance with EN442
Quality assurance:	NF
Types:	11 21 22 33
Heights:	300 400 500 600 700 900 mm
Lengths:	400 – 3.000 mm
Depths:	61 77 100 158 mm



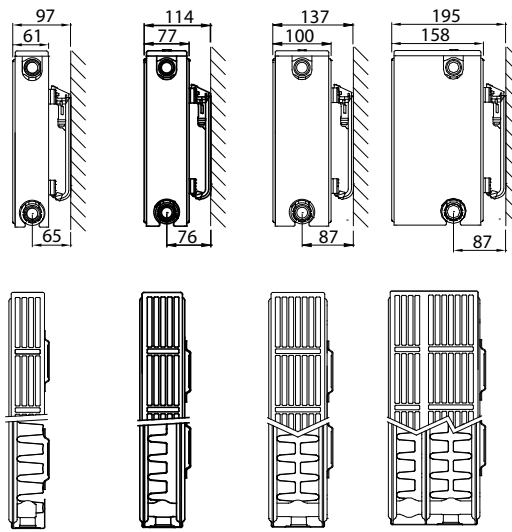
2005

Type overview

Calculation factor
per meter
at 75/65/20°C
according to EN442

Characteristic equation:

$$\Phi = K_M \times \Delta T^n$$



Height		Type 11	Type 21	Type 22	Type 33	Centre distance
300	W	509		982	1.349	250
	kg	9,31		16,80	25,20	
	l	1,89		3,70	5,40	
	m ²	2,09		3,51	5,26	
	n	1,32		1,33	1,31	
400	W	676	954	1.245	1.711	350
	kg	12,78	19,46	22,87	34,30	
	l	2,34	4,67	4,67	6,87	
	m ²	2,95	3,37	4,92	7,38	
	n	1,31	1,33	1,33	1,32	
500	W	833	1.153	1.494	2.056	450
	kg	16,24	24,63	28,93	43,40	
	l	2,80	5,63	5,63	8,33	
	m ²	3,80	4,31	6,33	9,49	
	n	1,30	1,34	1,33	1,32	
600	W	980	1.345	1.732	2.389	550
	kg	19,70	29,80	35,00	52,50	
	l	3,25	6,60	6,60	9,80	
	m ²	4,66	5,24	7,74	11,61	
	n	1,29	1,34	1,33	1,32	
700	W	1.117	1.530	1.961	2.712	650
	kg	22,90	34,50	40,53	60,77	
	l	3,77	7,63	7,63	11,37	
	m ²	5,51	6,18	9,15	13,72	
	n	1,29	1,34	1,34	1,34	
900	W	1.360	1.883	2.395	3.334	850
	kg	29,30	43,90	51,60	77,30	
	l	4,80	9,70	9,70	14,50	
	m ²	7,22	8,05	11,97	17,96	
	n	1,29	1,34	1,35	1,37	

W=heat output per meter / kg=weight per meter / l=content per meter / m²=surface per meter / n=exponent
The manufacturer reserves the right to alter any of the specifications shown in this document without prior notice.

COMPACT ALL IN

Heat outputs according to EN442



EN442 (W) 70/50/20°C

EN442 (W) 55/45/20°C

Stelrad BV: PL25/0004/E007

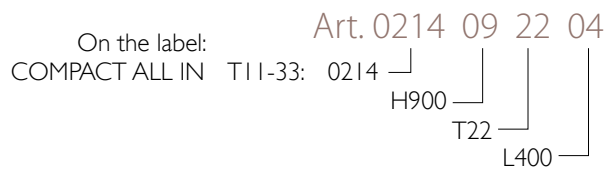
Height	300		
Type	11	22	33
W/m 75/65/20°C	509	982	1.349
400	152 104 0214031104	292 200 0214032204	403 276 0214033304
500	189 129 0214031105	365 249 0214032205	503 345 0214033305
600	227 155 0214031106	438 299 0214032206	603 414 0214033306
700	265 181 0214031107	511 349 0214032207	704 483 0214033307
800	303 207 0214031108	585 399 0214032208	805 552 0214033308
900	341 233 0214031109	658 449 0214032209	906 621 0214033309
1000	379 259 0214031110	730 499 0214032210	1.006 690 0214033310
1100	417 285 0214031111	803 548 0214032211	1.107 759 0214033311
1200	455 311 0214031112	876 598 0214032212	1.208 828 0214033312
1400	531 363 0214031114	1.023 698 0214032214	1.409 966 0214033314
1600		1.169 798 0214032216	1.610 1.103 0214033316
1800		1.315 898 0214032218	1.811 1.241 0214033318
2000		1.461 997 0214032220	2.012 1.379 0214033320
2200		1.607 1.097 0214032222	2.214 1.517 0214033322
2400		1.753 1.197 0214032224	2.415 1.655 0214033324
2600		1.899 1.297 0214032226	
2800		2.045 1.397 0214032228	
3000		2.191 1.496 0214032230	

400			
11	21	22	33
676	954	1.245	1.711
201 138 0214041104	284 193 0214042104	370 253 0214042204	510 349 0214043304
252 173 0214041105	354 241 0214042105	462 315 0214042205	638 437 0214043305
303 208 0214041106	425 290 0214042106	555 379 0214042206	766 524 0214043306
353 242 0214041107	496 338 0214042107	648 442 0214042207	893 611 0214043307
404 277 0214041108	567 386 0214042108	740 505 0214042208	1.020 699 0214043308
454 311 0214041109	638 435 0214042109	833 568 0214042209	1.148 786 0214043309
504 346 0214041110	709 483 0214042110	925 631 0214042210	1.275 873 0214043310
555 381 0214041111	779 531 0214042111	1.018 695 0214042211	1.403 960 0214043311
605 415 0214041112	850 580 0214042112	1.111 758 0214042212	1.530 1.048 0214043312
706 484 0214041114	992 676 0214042114	1.296 884 0214042214	1.785 1.222 0214043314
807 554 0214041116	1.134 773 0214042116	1.481 1.010 0214042216	2.041 1.397 0214043316
908 623 0214041118	1.275 869 0214042118	1.666 1.137 0214042218	2.296 1.572 0214043318
1.009 692 0214041120	1.417 966 0214042120	1.851 1.263 0214042220	2.551 1.746 0214043320
	1.559 1.063 0214042122	2.036 1.389 0214042222	2.806 1.921 0214043322
	1.701 1.159 0214042124	2.221 1.515 0214042224	3.061 2.095 0214043324
		2.406 1.642 0214042226	
		2.591 1.768 0214042228	
		2.776 1.894 0214042230	

500			
11	21	22	33
833	1.153	1.494	2.056
249 171 0214051104	342 233 0214052104	444 303 0214052204	612 419 0214053304
311 214 0214051105	428 291 0214052105	555 378 0214052205	766 524 0214053305
374 257 0214051106	514 350 0214052106	666 454 0214052206	919 629 0214053306
436 300 0214051107	599 408 0214052107	777 530 0214052207	1.072 733 0214053307
498 343 0214051108	684 466 0214052108	888 605 0214052208	1.225 838 0214053308
561 386 0214051109	771 525 0214052109	999 681 0214052209	1.378 943 0214053309
623 428 0214051110	856 583 0214052110	1.110 757 0214052210	1.531 1.047 0214053310
685 471 0214051111	941 641 0214052111	1.221 832 0214052211	1.685 1.152 0214053311
748 514 0214051112	1.027 700 0214052112	1.332 908 0214052212	1.838 1.257 0214053312
872 600 0214051114	1.198 816 0214052114	1.554 1.059 0214052214	2.144 1.466 0214053314
997 686 0214051116	1.370 933 0214052116	1.776 1.210 0214052216	2.451 1.676 0214053316
1.121 771 0214051118	1.540 1.049 0214052118	1.998 1.362 0214052218	2.757 1.886 0214053318
1.246 857 0214051120	1.712 1.166 0214052120	2.220 1.513 0214052220	3.063 2.095 0214053320
1.371 943 0214051122	1.883 1.283 0214052122	2.442 1.665 0214052222	3.369 2.304 0214053322
1.495 1.028 0214051124	2.054 1.399 0214052124	2.664 1.816 0214052224	3.675 2.514 0214053324
		2.885 1.967 0214052226	
		3.108 2.118 0214052228	
		3.330 2.270 0214052230	

Core assortment (Stelrad white 9016) available ex factory within 10 days.
 Core assortment is subject to change, please refer to www.stelrad.eu for the latest information.
 Delivery time depends on the model, please refer to your distributor.

COMPACT ALL IN



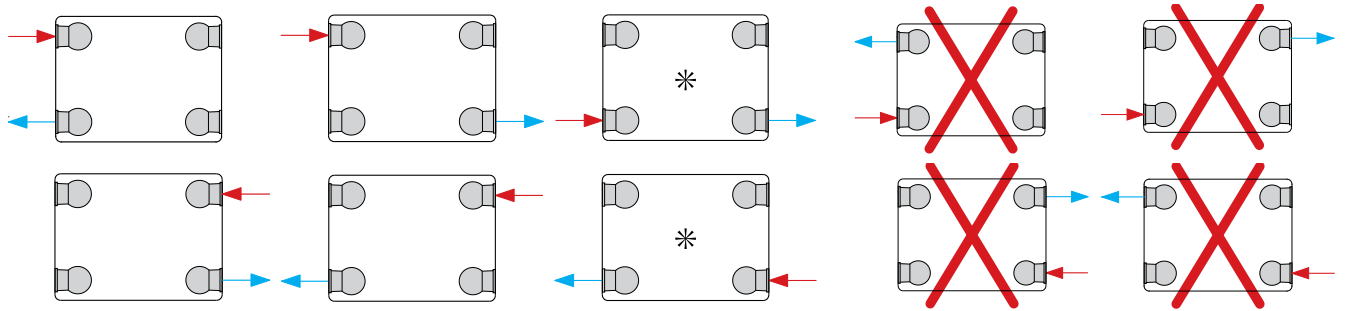
Steirrad BV: PL25/0004/E007

Height	600			
Type	11	21	22	33
W/m 75/65/20°C	980	1.345	1.732	2.389
400	294 203 0214061104	399 272 0214062104	515 350 0214062204	712 486 0214063304
500	367 253 0214061105	499 339 0214062105	643 438 0214062205	889 607 0214063305
600	441 304 0214061106	599 407 0214062106	771 525 0214062206	1.067 729 0214063306
700	514 355 0214061107	699 476 0214062107	900 613 0214062207	1.244 850 0214063307
800	588 405 0214061108	798 543 0214062108	1.029 701 0214062208	1.422 972 0214063308
900	661 456 0214061109	898 611 0214062109	1.157 788 0214062209	1.600 1.094 0214063309
1000	735 507 0214061110	998 679 0214062110	1.286 876 0214062210	1.778 1.215 0214063310
1100	808 557 0214061111	1.098 747 0214062111	1.414 963 0214062211	1.956 1.337 0214063311
1200	881 608 0214061112	1.197 815 0214062112	1.543 1.051 0214062212	2.134 1.458 0214063312
1400	1.028 709 0214061114	1.397 951 0214062114	1.800 1.226 0214062214	2.490 1.701 0214063314
1600	1.175 810 0214061116	1.596 1.086 0214062116	2.057 1.401 0214062216	2.845 1.944 0214063316
1800	1.322 912 0214061118	1.796 1.222 0214062118	2.315 1.577 0214062218	3.200 2.187 0214063318
2000	1.469 1.013 0214061120	1.996 1.358 0214062120	2.572 1.752 0214062220	3.556 2.430 0214063320
2200	1.616 1.114 0214061122	2.195 1.494 0214062122	2.829 1.927 0214062222	3.912 2.673 0214063322
2400	1.763 1.216 0214061124	2.395 1.630 0214062124	3.086 2.102 0214062224	4.268 2.917 0214063324
2600			3.343 2.277 0214062226	
2800			3.601 2.453 0214062228	
3000			3.858 2.628 0214062230	

700			
11	21	22	33
1.117	1.530	1.961	2.712
335 231 0214071104	454 309 0214072104	582 396 0214072204	805 547 0214073304
418 288 0214071105	568 386 0214072105	727 495 0214072205	1.006 684 0214073305
502 346 0214071106	681 463 0214072106	873 594 0214072206	1.207 821 0214073306
586 404 0214071107	795 541 0214072107	1.018 693 0214072207	1.408 958 0214073307
670 462 0214071108	908 618 0214072108	1.164 792 0214072208	1.609 1.095 0214073308
753 519 0214071109	1.022 695 0214072109	1.309 891 0214072209	1.810 1.232 0214073309
837 577 0214071110	1.135 772 0214072110	1.455 990 0214072210	2.011 1.368 0214073310
921 635 0214071111	1.249 850 0214072111	1.600 1.089 0214072211	2.212 1.505 0214073311
1.004 693 0214071112	1.362 927 0214072112	1.745 1.188 0214072212	2.413 1.642 0214073312
1.172 808 0214071114	1.589 1.081 0214072114	2.036 1.385 0214072214	2.816 1.916 0214073314
1.339 924 0214071116	1.816 1.236 0214072116	2.328 1.584 0214072216	3.218 2.189 0214073316
1.507 1.039 0214071118	2.043 1.390 0214072118	2.619 1.782 0214072218	3.621 2.463 0214073318
1.674 1.155 0214071120	2.270 1.545 0214072120	2.909 1.980 0214072220	4.023 2.737 0214073320

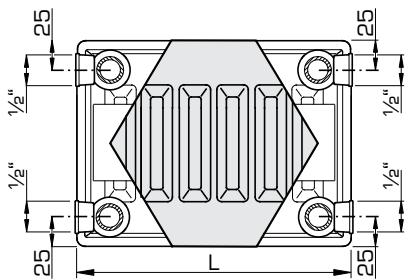
900			
11	21	22	33
1.360	1.883	2.395	3.334
408 281 0214091104	559 380 0214092104	709 482 0214092204	982 662 0214093304
510 351 0214091105	699 476 0214092105	887 602 0214092205	1.228 827 0214093305
612 422 0214091106	838 570 0214092106	1.064 722 0214092206	1.473 993 0214093306
714 492 0214091107	978 665 0214092107	1.241 843 0214092207	1.719 1.159 0214093307
816 562 0214091108	1.117 760 0214092108	1.419 963 0214092208	1.964 1.324 0214093308
917 633 0214091109	1.257 856 0214092109	1.597 1.084 0214092209	2.210 1.490 0214093309
1.019 703 0214091110	1.397 951 0214092110	1.774 1.204 0214092210	2.455 1.655 0214093310
1.121 773 0214091111	1.536 1.045 0214092111	1.950 1.324 0214092211	2.700 1.820 0214093311
1.223 844 0214091112	1.677 1.141 0214092112	2.128 1.445 0214092212	2.946 1.986 0214093312
1.427 984 0214091114	1.956 1.331 0214092114	2.483 1.686 0214092214	3.438 2.317 0214093314
1.631 1.125 0214091116	2.235 1.521 0214092116	2.838 1.926 0214092216	3.928 2.648 0214093316
1.835 1.265 0214091118	2.514 1.711 0214092118	3.192 2.167 0214092218	4.419 2.979 0214093318
2.039 1.406 0214091120	2.794 1.901 0214092120	3.547 2.408 0214092220	4.910 3.310 0214093320

CONNECTION POSSIBILITIES



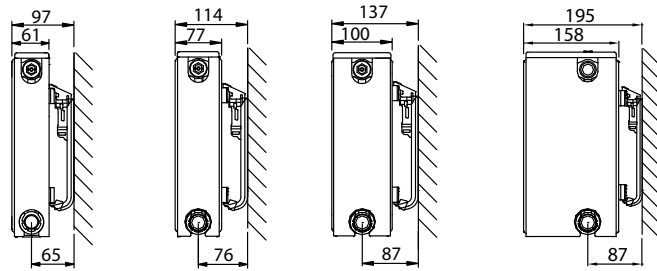
* = a reduction in heatoutput will occur when combining low temperature heating with a high temperature difference between inlet and outlet.

MOUNTING DIMENSIONS



J-BRACKETS (TYPE MONCLAC VDI 6036)

Type 11 Type 21 Type 22 Type 33



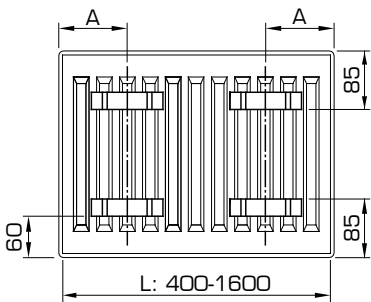
Types 11-33 J-bracket VDI 6036 Class 3	x	y	Art. N°.		Height mm
			2 pcs.	3 pcs.	
	/	140	R509203	R509303	300
	103	240	R509204	R509304	400
	103	340	R509205	R509305	500
	103	440	R509206	R509306	600
	103	540	R509207	R509307	700
	103	740	R509209	R509309	900

For lengths above 1600 mm: 3 brackets needed.

LUG POSITIONS

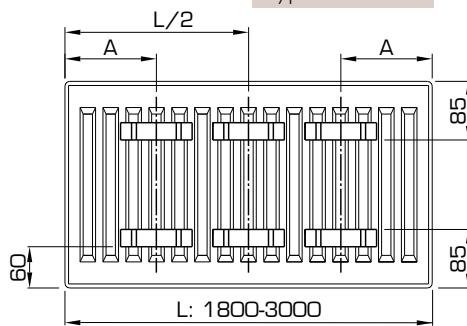
Types 21/22/33

L	A
400-1600	133



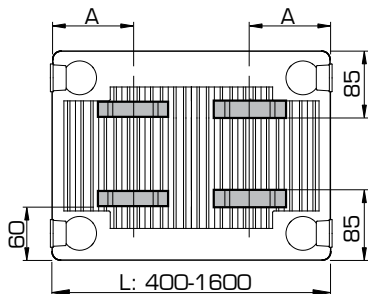
Types 21/22/33

L	A
1800-3000	133



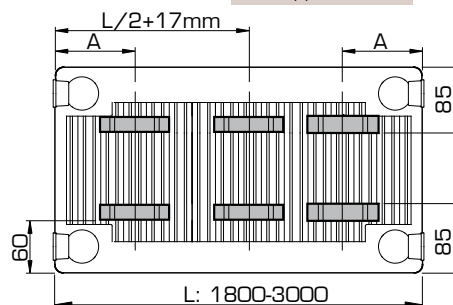
Type 11

L	A
400	117
500-1600	150



Type 11

L	A
1800-3000	150





Seasons

change,

and so

do we !

Austria • Belarus • Belgium • Cyprus • Czech Republic • Estonia • France • Germany • Greece • Iceland • Ireland • Lithuania
Luxemburg • Norway • Poland • Portugal • Slovenia • Spain • Sweden • The Netherlands • Tunisia • Ukraine • United Kingdom

THE NETHERLANDS

Caradon Stelrad B.V. | Kathagen 30 | 6361 HG Nuth

WWW.STELRAD.EU

